

# ROTOP 400



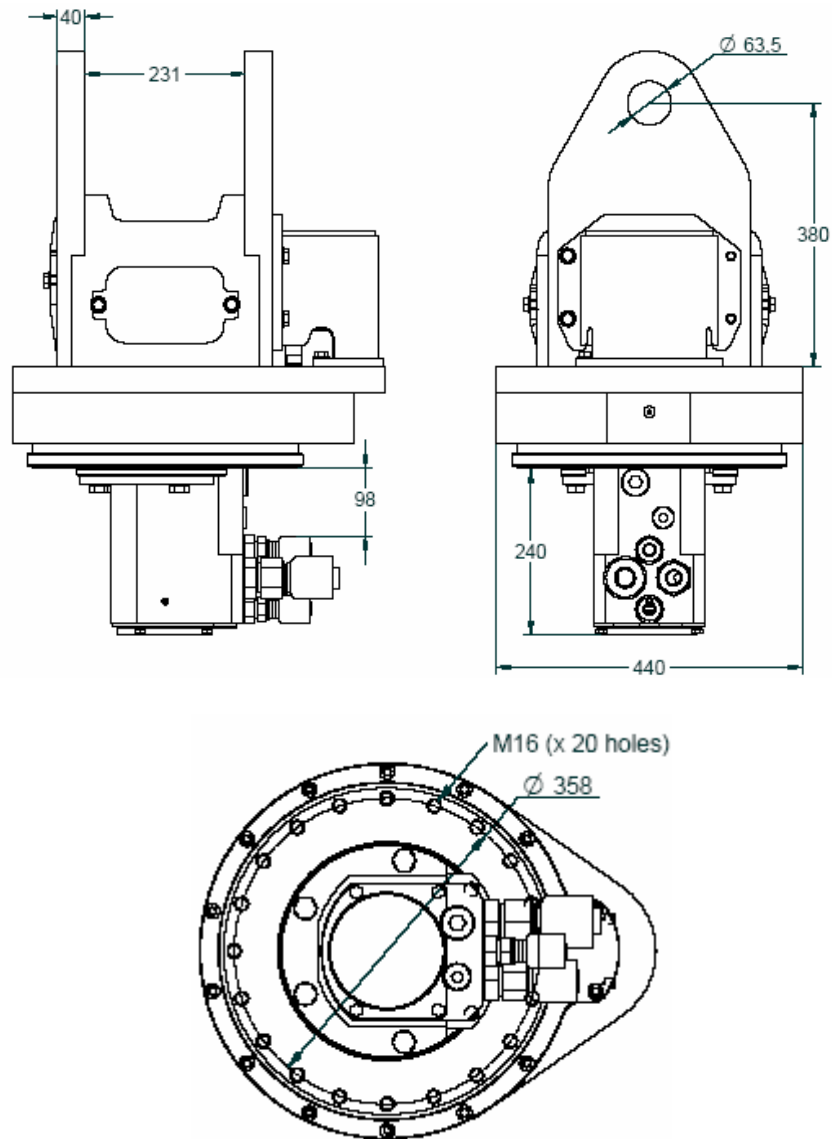
The **ROTOP 400** is new technology. It is a heavy duty rotator assembly suitable for the larger harvesters and processing heads.

It provides **continuous rotation** for services of Hydraulics / Electrics / and data functions

#### Features of **continuous rotation**:

- Improved harvesting performance
- Reduction in Associated how replacements
- Easier harvester and processor head positions
- Better routing for hoses
- Less critical carrier-to-tree attitude





Rotation	Continuous
Total Weight	278kg (546lb)
C-Joint Weight	57.5kg (127lb)
Maximum Axial Load	80'000kg (176'000lb)
Torque @ relief pressure	2420Nm @ 100bar (21'414in.lb @ 1450psi)
Recommended Flow	44l/min
Speed at recommended flow	20 rpm
Motor Ports	G ½ inch
C-Joint	Pressure 350 bar (5075 psi) 1" BSPP
	Return 1 1/4" BSPP
	Case Drain ¾" BSPP
	Electrics and data cable ¾" BSPP

